

# Kysor™ On/Off



[thermal.borgwarner.com](http://thermal.borgwarner.com)



For Additional BorgWarner  
Thermal Systems Information:

800-927-7811 USA  
49-7544-969-207 Germany  
88-574-820-9696 China

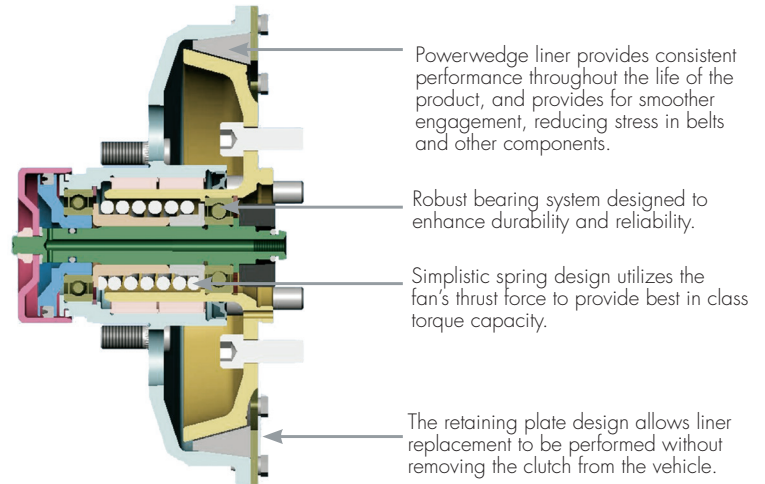
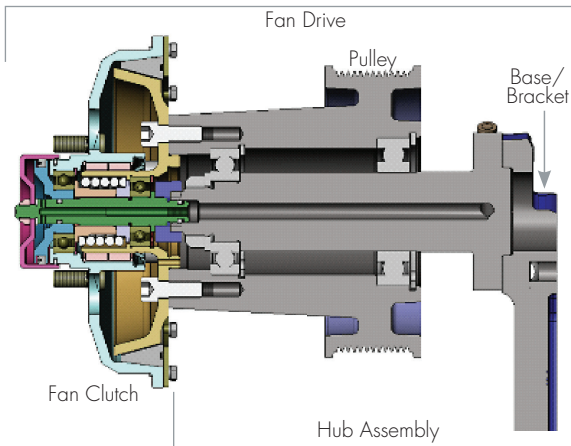
[thermal@borgwarner.com](mailto:thermal@borgwarner.com)

 **BorgWarner**

# Kysor™ On/Off Fan Clutch

for Heavy-Duty Truck Applications

## Features & Advantages



With Kysor On/Off Fan Drives from BorgWarner, the fan continues to rotate even if the clutch stops working. In the event of air system pressure failure, the fan remains engaged which prevents the engine from overheating.

These drives have fewer moving parts and an innovative design that improves belt life and provides for easier maintenance- and less of it.

Features	Advantages	Benefits
Powerwedge™ clutch liner	Consistent performance & dependability	Longer time between liner change
Dynamic torque capacity	Improved cooling capability	Meets requirements for all new engines since 2002 as under hood temperatures continue to rise
Hub bearing design	Product durability & reliability provides better overall performance	No unnecessary & costly service issues
Modular design	Common clutch serviced independently from hub and pulley	Easier to service, saving time & reducing maintenance & inventory costs
Fail Safe™ design	Provides continuous cooling	Assures reliable operation preventing costly breakdowns
Modular design	Keeps damaging heat away from the pulley and bearings	Prevents clutch failure
Compact, robust design	Lighter weight with improved liner life	Easier handling, easier and less maintenance

