

# Kysor™ Series On/Off Fan Drives



[bwthermal.com](http://bwthermal.com)

On/Off Fan Drives for Heavy-Duty Applications



## Kysor™ Series

The patented Kysor™ Series On/Off Fan Clutches from BorgWarner provide increased torque to meet today's higher engine cooling demands in a slim design.

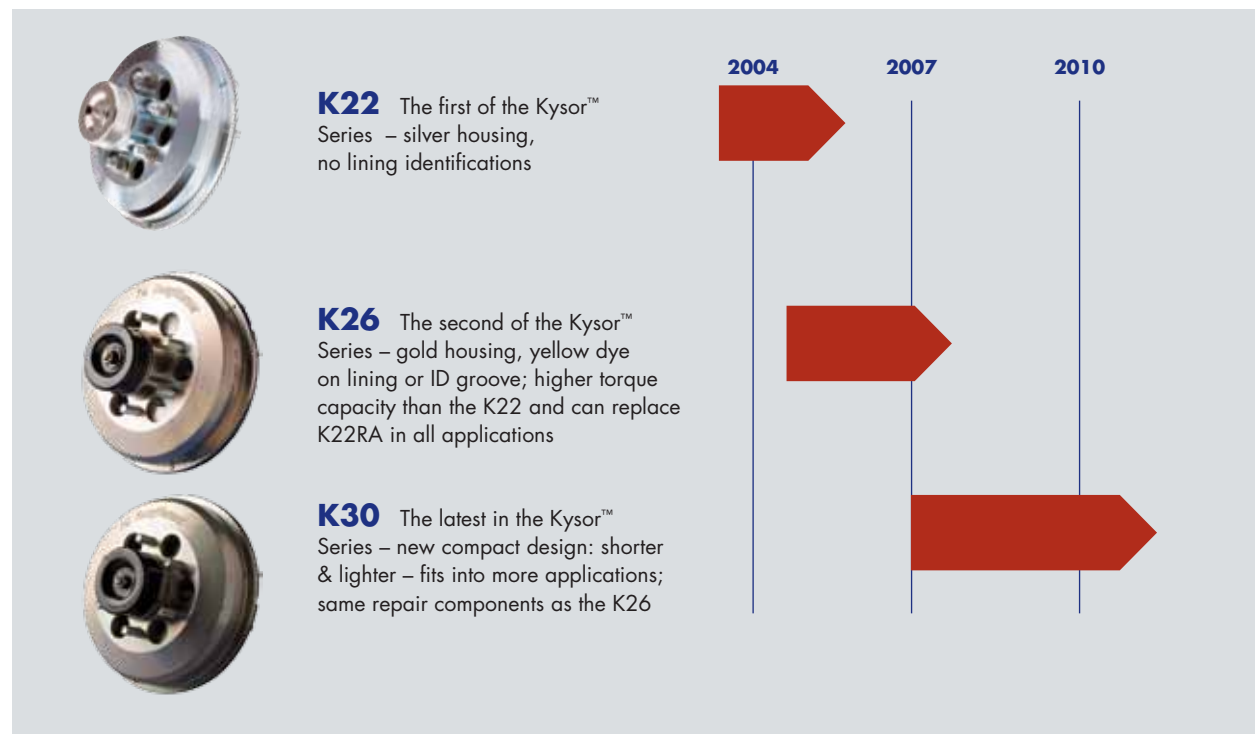
With the Kysor K30, the fan continues to rotate even if the clutch stops working. In the event of air system pressure failure, the fan remains engaged which prevents the engine from overheating.

These drives have fewer moving parts and an innovative design that improves belt life and provides for easier maintenance—and less of it. With proper maintenance, a million miles of trouble-free service under normal operating conditions may be expected. Greater dependability keeps you from worrying about costly breakdowns.



**Kysor™ K30**

### The Evolution of the Kysor™ Series





## Kysor™ K22

The Kysor™ K22 and K26 Fan Clutches weigh up to 40% less than competitors and provides 25% longer belt life and it fits most applications, minimizing inventory and costs.

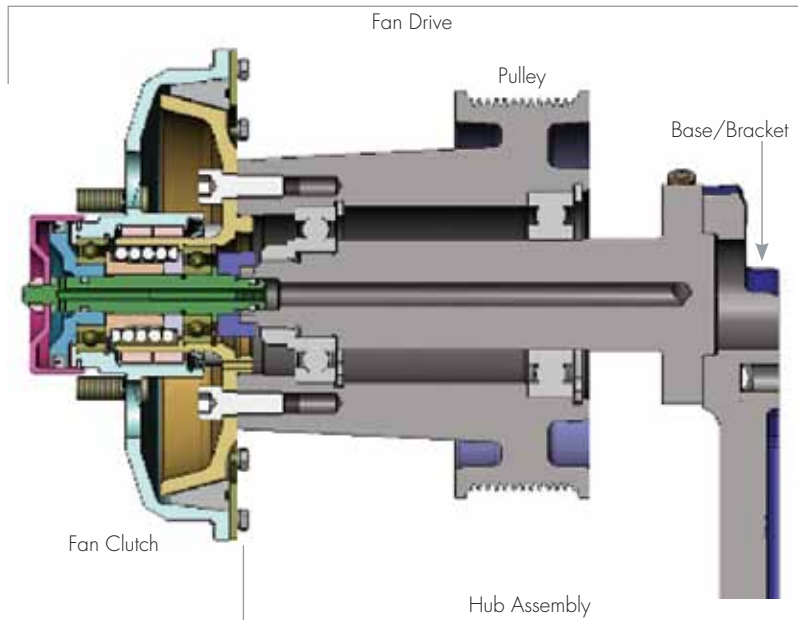
They both have fewer moving parts which means low maintenance and easier service. Their linings can be replaced on vehicle with no need to remove fan or fan belts and fewer tools are required for maintenance – no lock-up bolts, snap ring pliers, torx head inserts or other special tools.



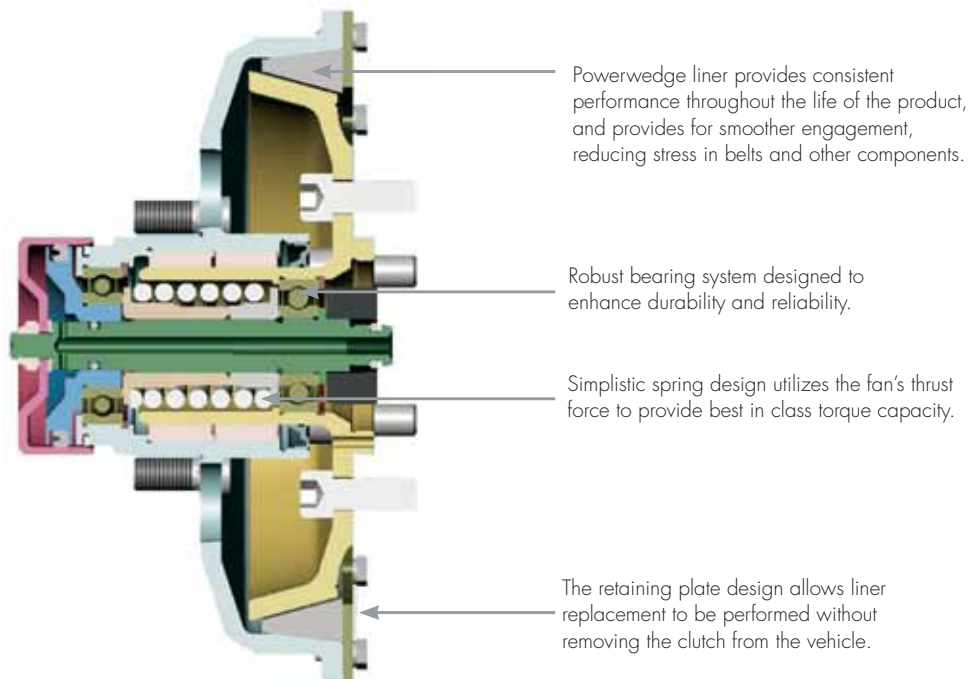
## Kysor™ K26

Kysor™ Series		
Features	Advantages	Benefits
Powerwedge™ clutch liner	Consistent performance & dependability	Longer time between liner change
Dynamic torque capacity	Improved cooling capability	Meets requirements for all new engines since 2002 as under hood temperatures continue to rise
Hub bearing design	Product durability & reliability provides better overall performance	No unnecessary & costly service issues
Modular clutch design	One clutch for all applications	Easier to service, saving time & reducing maintenance & inventory costs
Fail Safe™ design	Provides continuous cooling	Assures reliable operation preventing costly breakdowns
Modular clutch design	Keeps damaging heat away from the pulley and bearings	Prevents clutch failure
Reduced weight	Improved liner life	Easier handling due to smaller size & lighter weight

## Modular design & reverse compatibility with the same trusted hub bearings for over 10 years



- With its modular design, the Kysor™ On/Off drive has the ability to be repaired while still on the truck
- Unlike our competitors, the Kysor™ modular design allows you to replace just the fan clutch; reducing your service cost
- Air is supplied to the drive through the pulley hub to disengage the drive
- The rear portion of the piston rod enters the pulley hub shaft and is sealed with a Teflon® impregnated o-ring
- The integrity of the fan drive solenoid and airline path is **very important** for good drive life and performance



[bwthermal.com](http://bwthermal.com)

For further information on BorgWarner Thermal Systems contact Customer Service at 800-927-7811 [info@bwthermal.com](mailto:info@bwthermal.com)

 **BorgWarner**