



Combustion

Explore our Technologies

K32 DuroSpeed™ Fan Drives

for vocational, severe service and off-highway vehicles

K32 DuroSpeed™ Fan Drives

THE K32 DUROSPEED IS A “2-SPEED” COOLING FAN CLUTCH BASED ON THE INDUSTRY STANDARD BORGWARNER ON-OFF FAN CLUTCH.

Designed for harsh vocational applications, the DuroSpeed simply increases the typical disengaged speed of the On-Off fan clutch in order to significantly reduce the amount of clutch engagements.



Features & Benefits

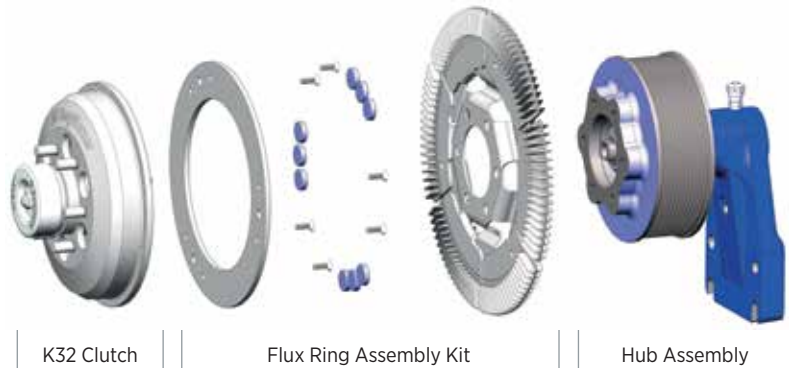
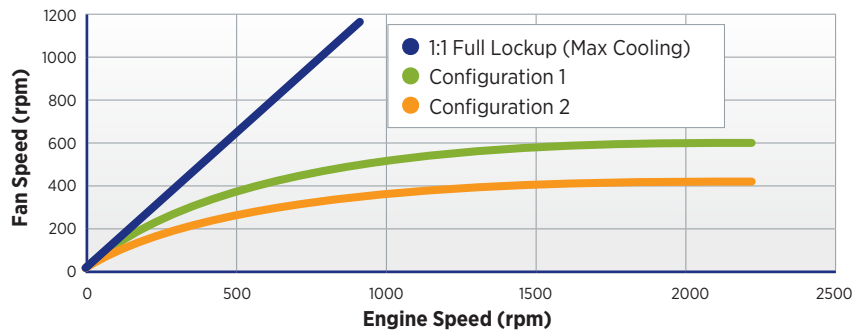
- Modular design easily converts from an On/Off to a 2-speed fan drive
- Pneumatically actuated – 90-120 psi
- Can also be hydraulically actuated through power steering fluid with use of pressure regulators/solenoids
- Fail Safe™ engaged
- Magnets on the retaining ring coupled with aluminum over-molded flux ring forms an eddy current system to elevate the disengaged fan speed
- Tunable idle speed
- Rear actuated design for robust airline routing
- Industry leading torque capacity

Advantages

- Significantly fewer components, operates 70°F cooler and 4.4 to 8.8lbs lighter compared to competition
- Design concept is capable to adjust the disengaged speed per application specific needs
- Reduction of the fan cycling thus lower operating noise
- Increased liner change interval
- Flux ring designed to cool the bearings for further improved durability

K32 DURSPEED FAN DRIVE PERFORMANCE

Idle speed tailored to suit application



For Additional
BorgWarner Information:
borgwarner.com

