

# Explore our Technologies

## K26/K27 Turbochargers

for marine engines

[turbos.borgwarner.com](http://turbos.borgwarner.com)

 **BorgWarner**

# K26/K27 Turbochargers

WITH DEVELOPMENT CENTERS, PRODUCTION SITES AND SALES OFFICES IN ALL KEY MARKETS THROUGHOUT THE WORLD, WE SUPPORT OUR CUSTOMERS WHEREVER LEADING EXPERTISE IS REQUIRED.

And our customers can rely on the same, consistently high quality regardless of location.

Certification to DIN ISO 9001, QS 9000, VDA 6 or TS 16949 – and our continuous efforts for further improvements – underline the effectiveness of our quality management system.



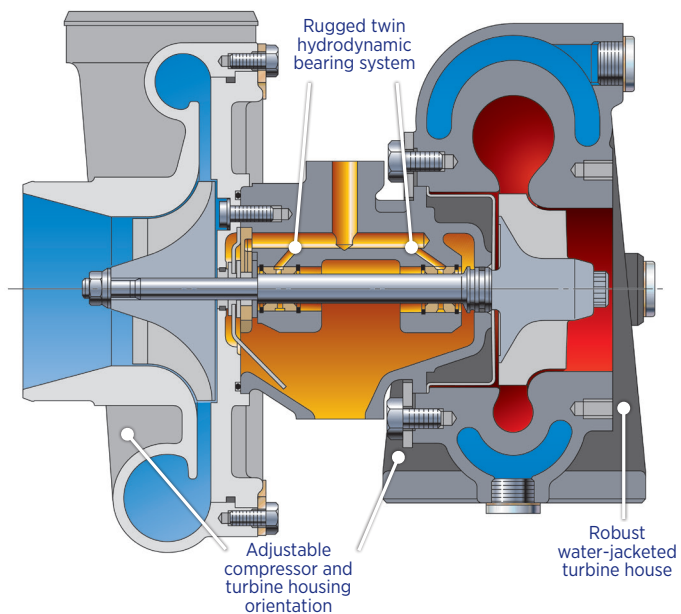
TRIED AND TESTED,  
ROBUST AND AFFORDABLE

## Features & Benefits

- Rugged twin hydrodynamic bearing system
- Water-jacketed turbine housing
- Adjustable compressor and turbine housing orientation
- 1 year warranty

## CROSS REFERENCE

OE Part #	BorgWarner Turbo Service Part #	Model #	Config.
8110701	5326 988 6086	K26	Iveco-Aifo
861260	5326 988 6497	K26	Volvo-Penta
35242017A	5326 988 6493	K26	VM
35240024A	5326 988 6090	K26	VM
3583006	5326 988 7200	K26	Volvo-Penta
1191-18011	5326 988 6292	K26	Yanmar
3802112	5326 988 6750	K26	Volvo-Penta
382105	5326 988 6751	K26	Volvo-Penta
3584053	5327 998 7500	K27	Volvo-Penta
3584138	5327 998 7501	K27	Volvo-Penta
3801138	5327 998 7194	K27	Volvo-Penta
3802014	5327 988 6800	K27	Volvo-Penta
3802038	5327 988 6491	K27	Volvo-Penta
3802062	5327 988 6798	K27	Volvo-Penta
3802068	5327 988 6796	K27	Volvo-Penta
3802097	5327 998 6723	K27	Volvo-Penta
3802113	5327 998 6786	K27	Volvo-Penta
3802127	5327 998 6745	K27	Volvo-Penta
3802151	5327 998 7500	K27	Volvo-Penta
3802152	5327 998 7501	K27	Volvo-Penta
3809911	5327 998 7194	K27	Volvo-Penta
3825200	5327 998 6723	K27	Volvo-Penta
3828244	5327 998 6786	K27	Volvo-Penta
3830094	5327 998 6745	K27	Volvo-Penta
844289	5327 988 6800	K27	Volvo-Penta
847201	5327 988 6491	K27	Volvo-Penta
864729R	5327 988 6796	K27	Volvo-Penta
865428	5327 988 6798	K27	Volvo-Penta



Note: All numbers, names and descriptions herein are used for reference purpose only and do not imply that they are the product of the original manufacturer.

For Additional BorgWarner Turbo Systems Information:  
[turbos.borgwarner.com](http://turbos.borgwarner.com)

